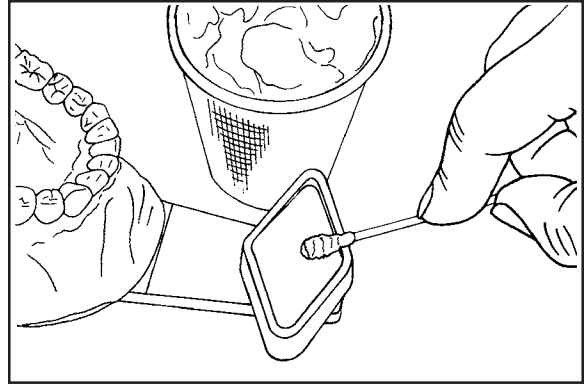
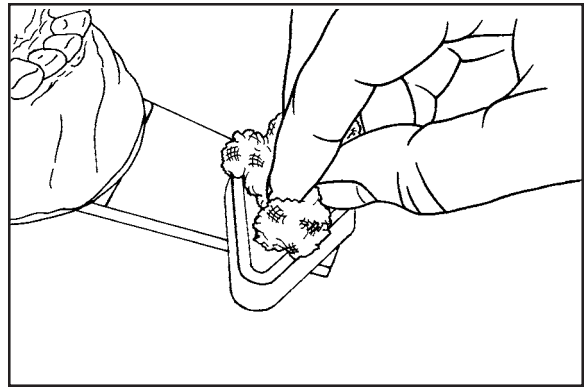


Customized Incisal Table

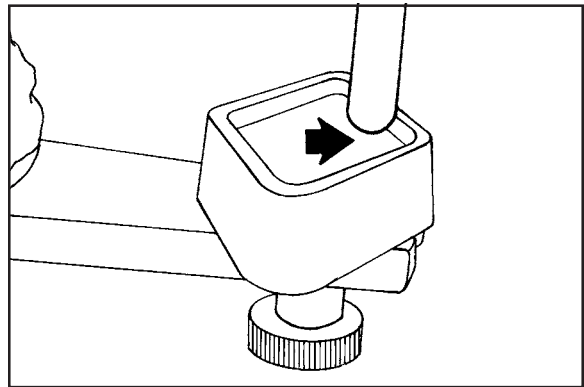
Lubricate flat guide surface of plastic incisal table with silicone gel or vaseline.



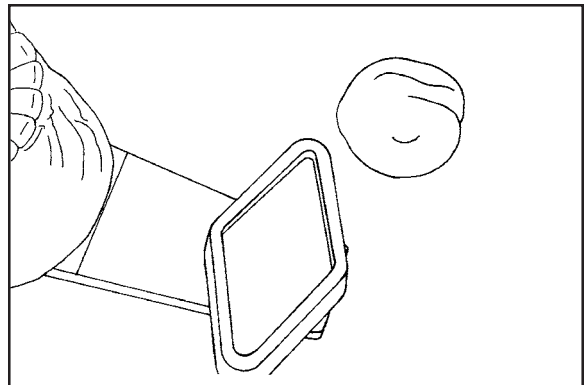
Wipe off excess lubricant with gauze pad leaving only thin film.

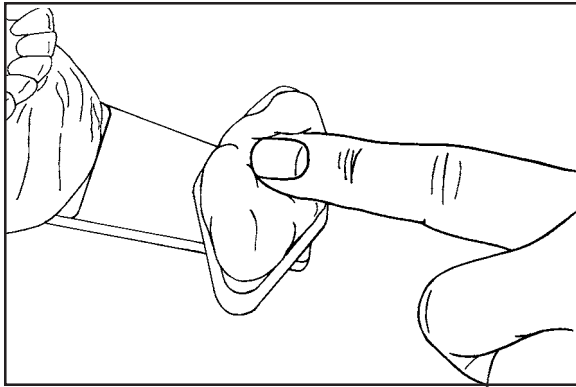


Lock incisal table in rearmost position. Raise and lock incisal pin approximately 3-4mm above incisal table (arrow).

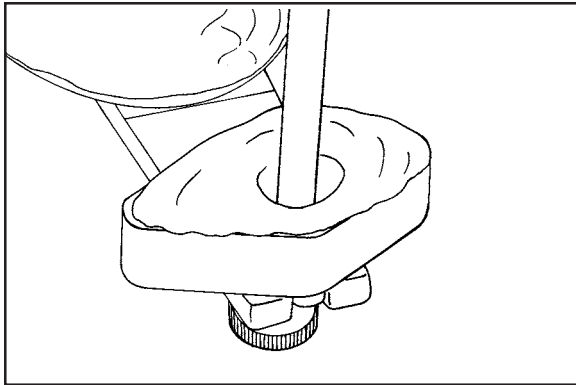


Mix an appropriate quantity of self curing acrylic resin. Roll between palms of hand under cold tap water until it does not stick to hands but remains pliable.

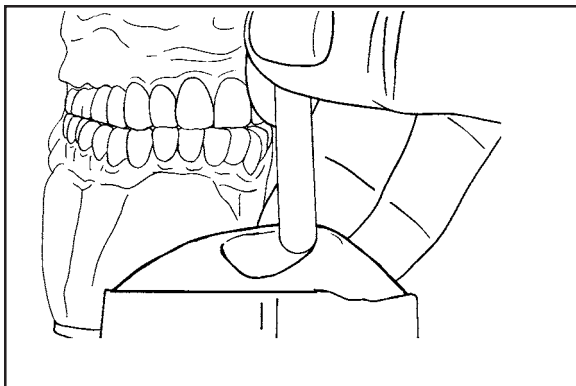




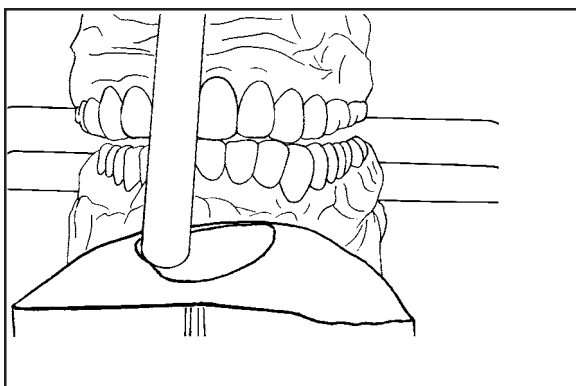
Press pliable resin into lubricated rhomboid area of incisal table.



Close articulator so that incisal pin makes centric impression in soft resin.

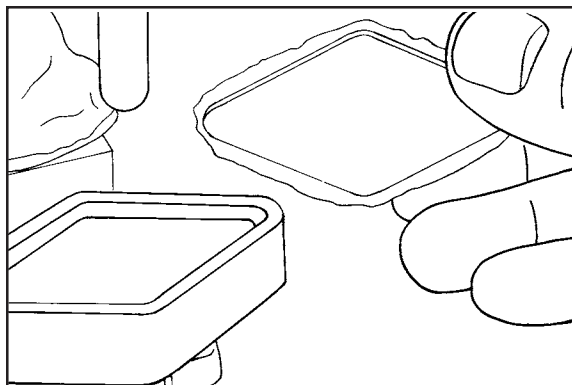


Articulate casts from centric into protrusive and border movements to form customized incisal guide table. Continue the movements in all excursions while resin is hardening.

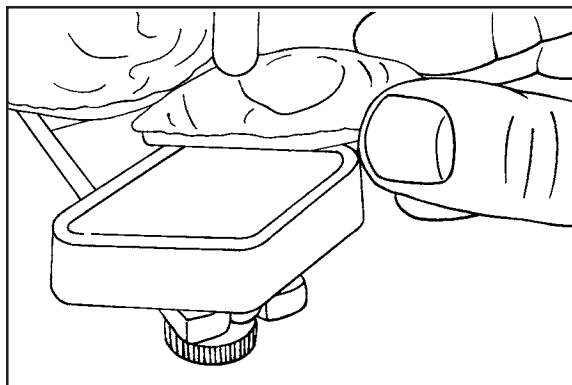


Allow resin to completely harden.

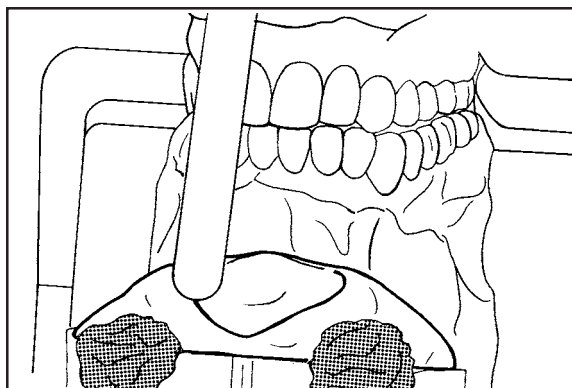
Hardened resin can be removed, and stored for later use.



Customized incisal table can be replaced exactly because of rhomboid index on lower side.



Sticky wax customized table in place.



Original movements are exactly duplicated and controlled.

