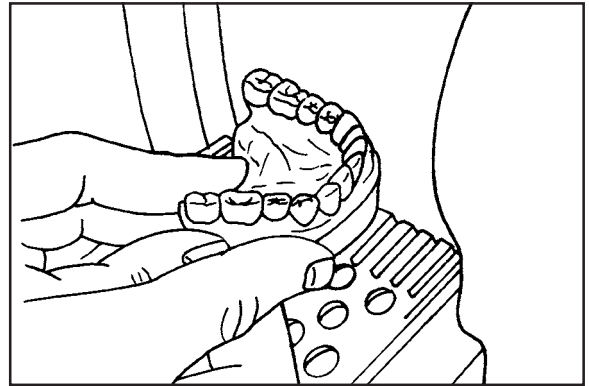


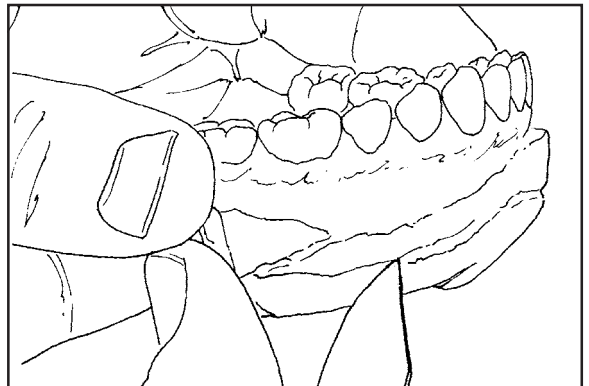
MANDIBULAR CAST MOUNTING INSTRUCTIONS

Grind mandibular mounting surface of cast parallel to occlusal plane of teeth with model trimmer. Grind perimeter of cast with approximately 10-15° bevel to depth of buccal and labial vestibules. Avoid touching teeth or buccal and labial gingival areas with trimmer wheel.



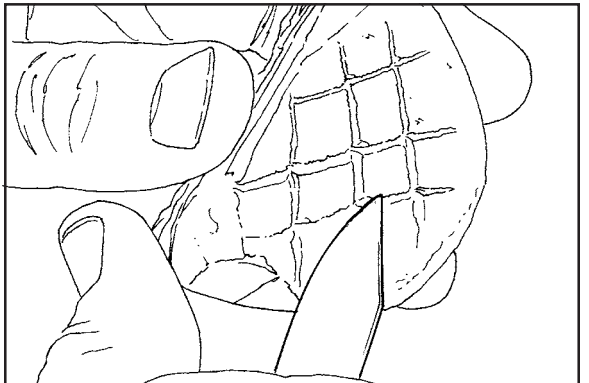
1

Cut retention grooves in trimmed cast with laboratory knife or carborundum disc.



2

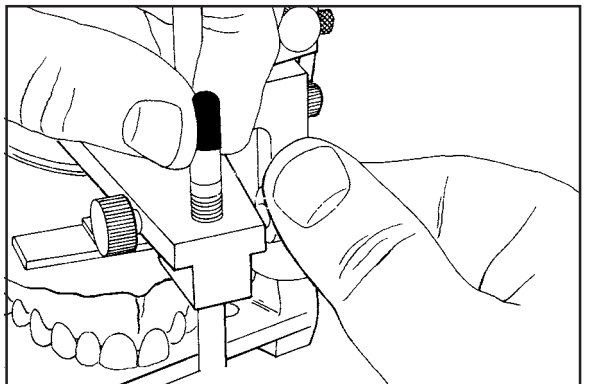
Score mounting surface of cast with laboratory knife or carborundum disc.



3

Raise and lock maxillary frame against incisal pin about 3-4 mm above heavy "0" ring depending on thickness of centric record. (If vertical dimension is not being changed by thickness of centric record, i.e. closed-bite interocclusal record, leave incisal pin set at "0").

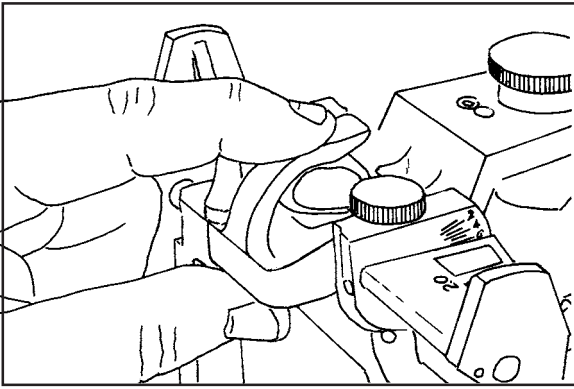
Note: The raising of the maxillary frame on the incisal pin is an arbitrary procedure and does not change the relationship of the occlusal surfaces of the maxillary teeth to the protrusive path which will be set in the articulator at a later time.



4

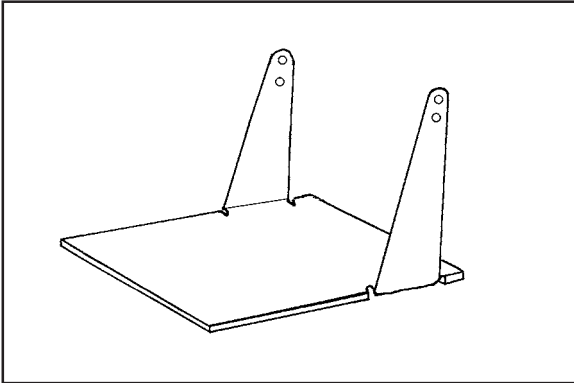
MANDIBULAR CAST MOUNTING INSTRUCTIONS

5



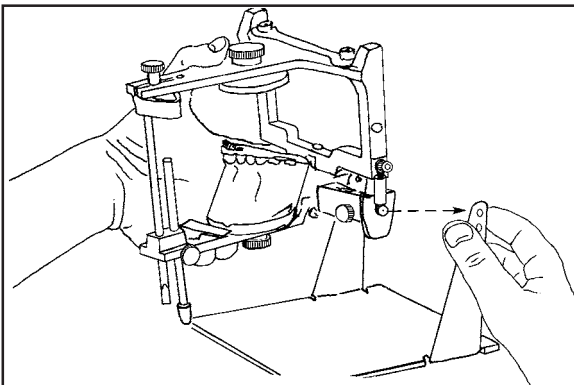
Rotate centric latch forward to engage latch with axis shaft and depress centric pin into centric channel of lower frame of articulator.

6



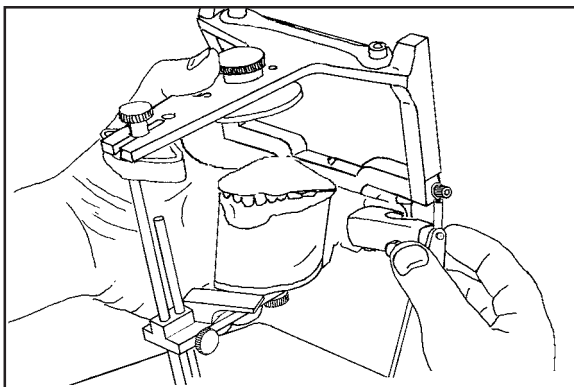
The mandibular mounting stand has two hole locations. The top hole is used for High (H) model articulators; the bottom hole is used for Low (L) model articulators.

7



Grasp articulator upside down in one hand and vertical support arm of mounting stand with other hand. Insert "far side" extending analog axis pin into appropriate hole in mounting stand.

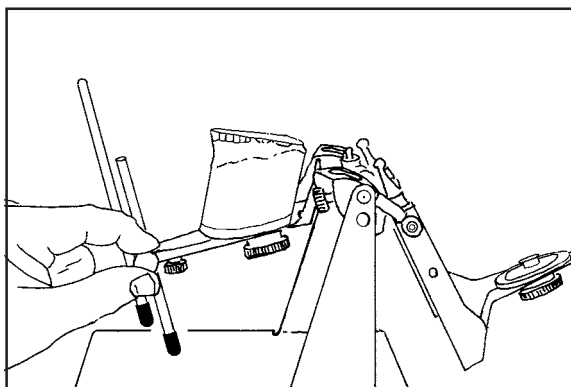
8



Flex "near side" vertical support arm outward to allow arm to spring inward and capture extending end of analog axis pin in appropriate hole in support arm.

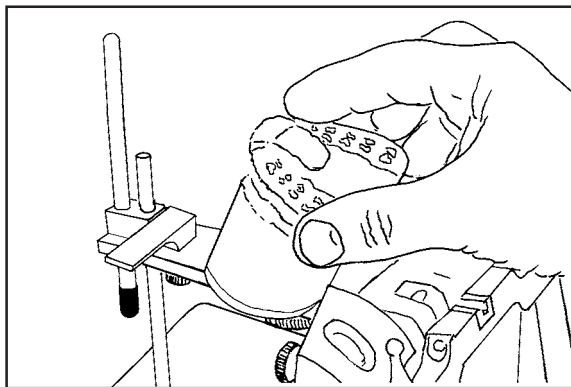
MANDIBULAR CAST MOUNTING INSTRUCTIONS

Hinge mandibular frame back to open position. Adjust and lock support pin with thumb screw.



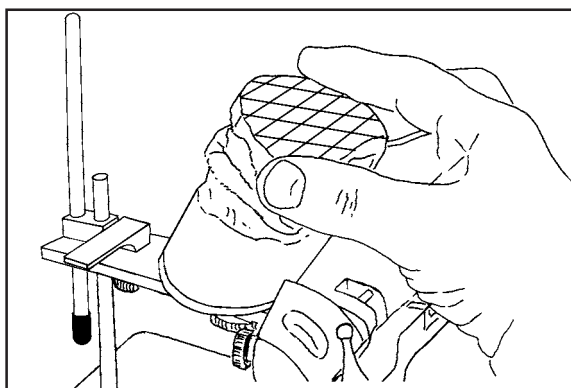
9

Place centric record carefully on maxillary cast and verify fit. Pay particular attention to see that there are no contacts of centric record material with soft tissue unless it is a designated area to support a distal edentulous ridge.



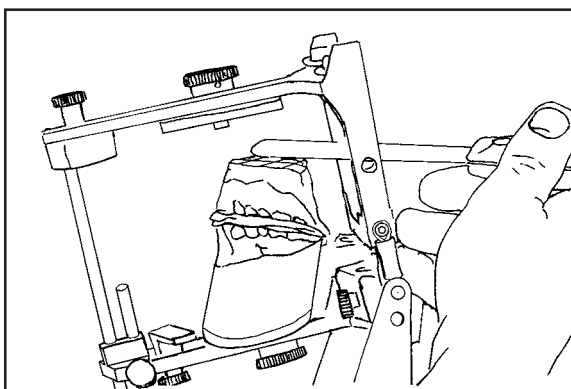
10

Remove any occlusal bubbles or artifacts if present in tooth area of mandibular cast. Place mandibular cast carefully into cusp tip impressions in centric record and verify fit.



11

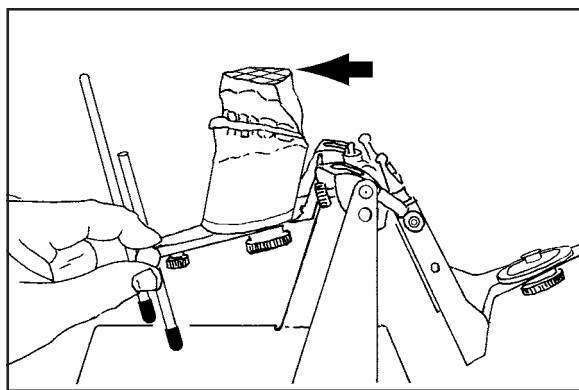
Close mandibular frame of articulator over cast until incisal pin touches incisal table to determine amount of plaster needed for mounting. Grind mounting surface of cast if necessary so there will be at least a 5mm space between mounting plate and cast (area indicated by spatula).



12

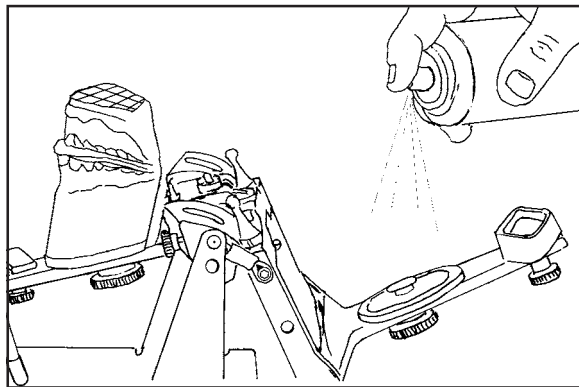
MANDIBULAR CAST MOUNTING INSTRUCTIONS

13



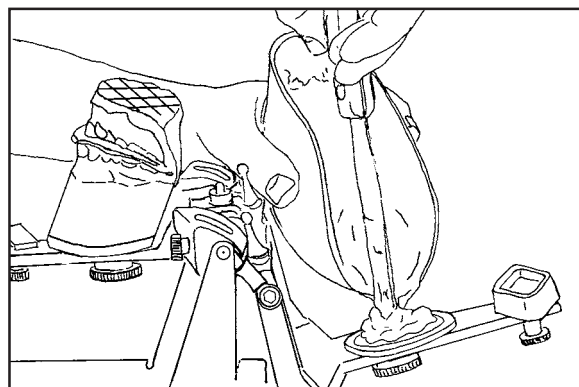
Adjust length of support post to level mounting surface of mandibular cast (arrow).

14



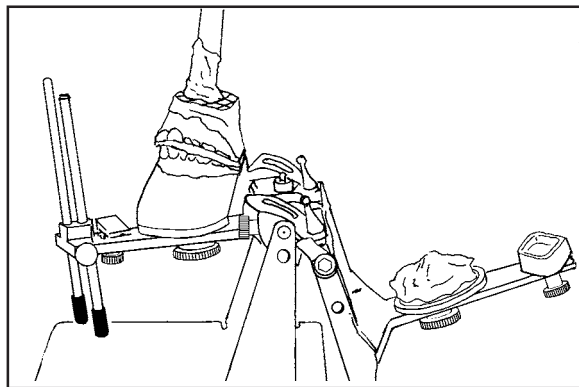
Spray entire mandibular frame, including condylar element and analogs with silicone lubricant spray. Also spray the mounting stand for protection of stand and easy removal of any residual mounting stone.

15



Mix quick set mounting stone to consistency of whipped cream. Place amount of soft stone first on mounting plate, being sure to get stone into retention areas of plate.

16

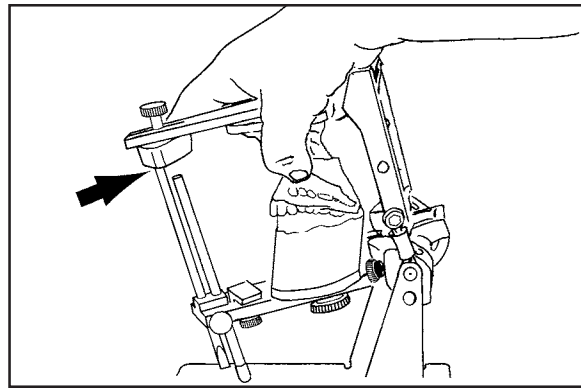


Place minimum amount of soft stone on mounting surface of cast to make connection with stone on mounting plate.

Note: Do not add more stone than required to make a small to moderate sized connection. If the mounting space is large it is best to build up on the cast and mounting plate and allow this stone to harden. Then make the final connection with a small amount of stone to keep the expansion errors to a minimum.

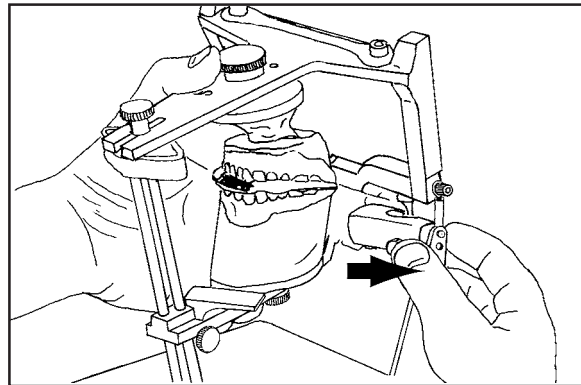
MANDIBULAR CAST MOUNTING INSTRUCTIONS

Close mandibular frame to join two pads of soft mounting stone until end of incisal pin rests on incisal table (arrow). Press cast tightly into centric record with thumb and fingers at premolar areas (arrows) while palm of hand rests on frame of articulator. Hold in this manner until quick-set stone reaches initial set. Then remove hand and leave articulator undisturbed until mounting stone has completely hardened.



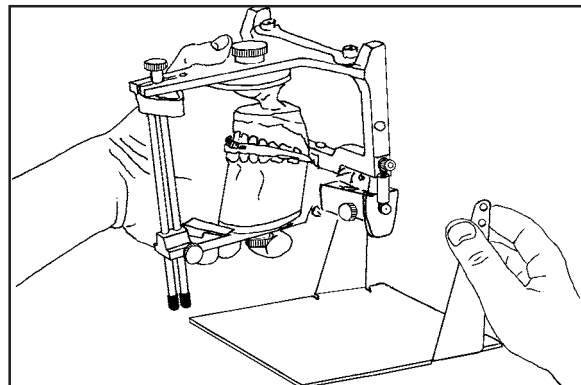
17

Remove articulator from mounting stand by first pulling laterally on one support arm of stand to flex arm sufficiently to release axis pin of analog (arrow) and then twist articulator slightly to free extending analog axis pin from support arm.



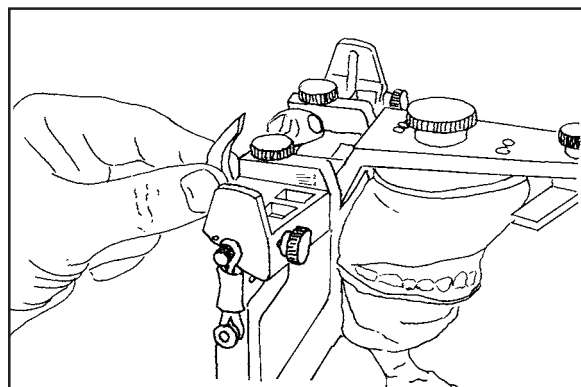
18

Pull articulator toward you to release other analog axis pin from its support arm on mounting stand. Lift articulator upward and away from mounting stand.



19

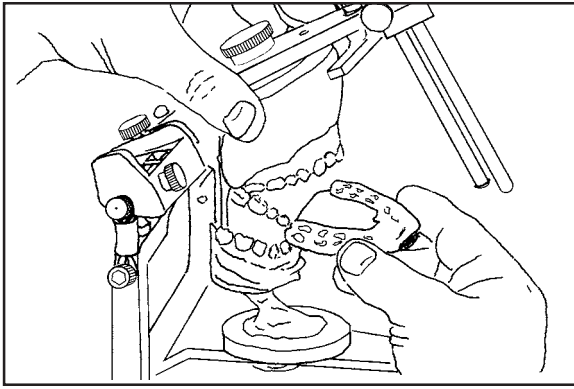
Release centric latch to allow for easy removal of centric record.



20

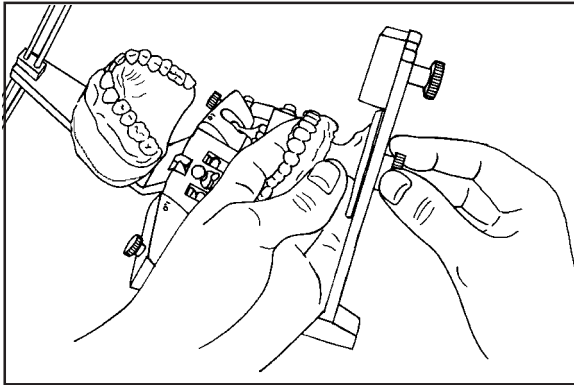
MANDIBULAR CAST MOUNTING INSTRUCTIONS

21



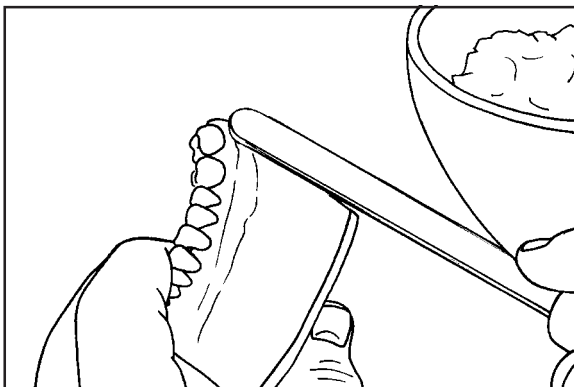
Lift upper frame of articulator and carefully remove centric record from casts.

22



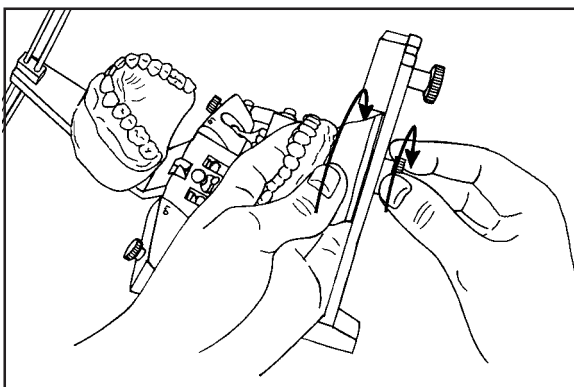
When mounting stone has hardened, loosen mounting plate screw and remove cast from lower frame.

23



For added strength and esthetics, add soft mix of quick-set plaster using edge of mounting plate and cut edge of buccal and labial vestibules of cast as guides for spatula. Allow plaster to reach final set.

24



Remove any residual plaster on mounting plate and articulator mounting surface and replace mandibular cast on articulator. Always rotate cast in direction the mounting screw is being tightened to maintain highest accuracy.